

Vasatherm

An affordable solution for commercial applications where comfort is key



Vasatherm air curtains are specifically designed for commercial and retail applications where a stable inner climate is needed. With a choice of surface or cassette mounting, there's a Vasatherm solution to suit any doorway.

Sizes (Width)

1m, 1,5m, 2m and 2,5m

Mounting Height

Mounted – up to 3,3m

Colour

Standard RAL 9016 (white)
Discharge Grille (RAL 9006)

Warranty

5 years

Key features



Water

- Water heated
- Surface or cassette mounting
- Energy saving controls
- Suitable, as standard, for low water temperature 60°C/40°C
- Two or more (depending on type) dual inlet, vibration free centrifugal fans
- Integrated thermostat
- Wall brackets available as an option
- Hinged grilles for easy installation and maintenance (cassette units)



info@vasatherm.fi

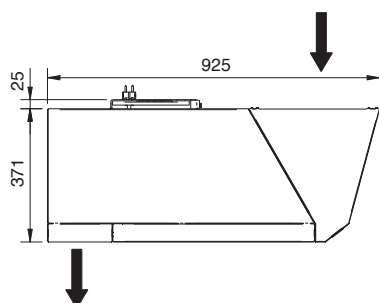
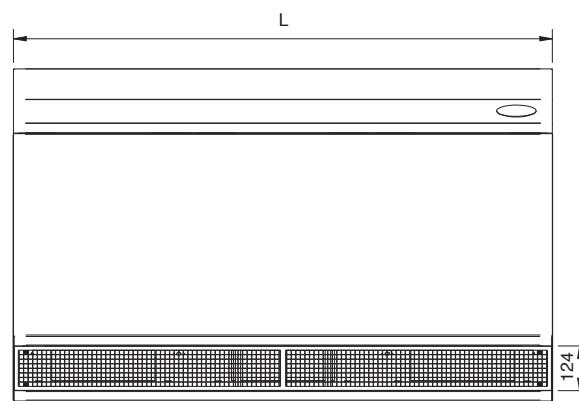
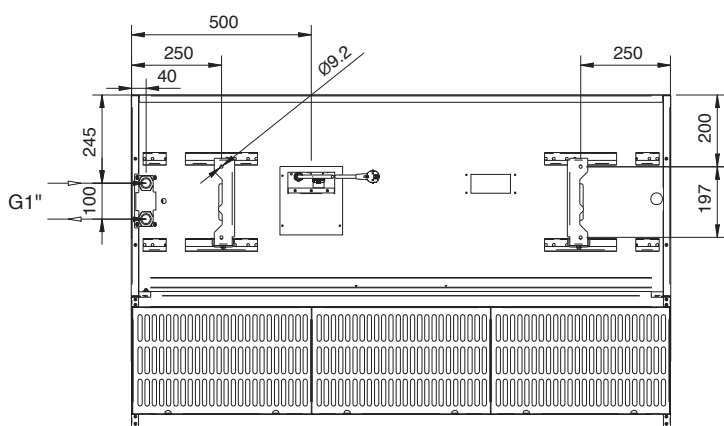
Surface Mounted

Model	Dimensions (L x W x D) (mm)	Supply (50Hz)	Load (A)	Max. power, motors (kW)	Heat output (kW) Room temp 20°C	Max velocity (m/s)	Air volume (m³/h)				
							Fanspeed 1	Fanspeed 2	Fanspeed 3	Fanspeed 4	Fanspeed 5
Water 60/40°C											
Vasatherm L-100-W-F	1000 x 925 x 371	230V-1	2,48	0,55	8,5	6	980	1260	1640	2182	2740
Vasatherm L-150-W-F	1500 x 925 x 371	230V-1	3,72	0,82	15,5	6	1467	1895	2455	3270	4110
Vasatherm L-200-W-F	2000 x 925 x 371	230V-1	4,96	1,1	22,6	6	1960	2530	3270	4364	5475
Vasatherm L-250-W-F	2500 x 925 x 371	230V-1	6,2	1,36	29,7	6	2445	3160	4090	5455	6845

Surface Mounted

Model	Max specific fan power kW/m³/s	Weight (kg)	Sound pressure level db(A) @3m				
			Fanspeed 1	Fanspeed 2	Fanspeed 3	Fanspeed 4	Fanspeed 5
Water 60/40°C							
Vasatherm L-100-W-F	0,72	69	33,7	39,7	44,2	50,7	55,7
Vasatherm L-150-W-F	0,72	104	35,4	41,4	45,9	52,4	57,4
Vasatherm L-200-W-F	0,66	131	36,7	42,7	47,2	53,7	58,7
Vasatherm L-250-W-F	0,72	165	37,6	43,6	48,1	54,6	59,6

Type	L
Vasatherm L-100	1000
Vasatherm L-150	1500
Vasatherm L-200	2000
Vasatherm L-250	2500



Cassette

Model	Dimensions (L x W x D) (mm)	Supply (50Hz)	Load (A)	Max. power, motors (kW)	Heat output (kW) Room temp 20°C	Max velocity (m/s)	Air volume (m ³ /h)				
							Fanspeed 1	Fanspeed 2	Fanspeed 3	Fanspeed 4	Fanspeed 5

Water 60/40°C

Vasatherm L-150-W-C	1500 x 1106 x 371	230V-1	3,72	0,82	15,5	6	1470	1895	2455	3275	4110
Vasatherm L-200-W-C	2000 x 1106 x 371	230V-1	4,96	1	22,6	6	1960	2530	3270	4360	5475

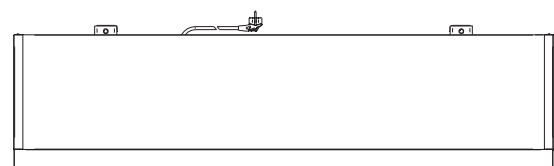
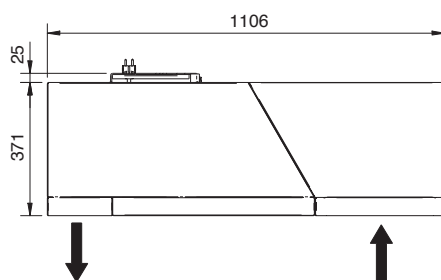
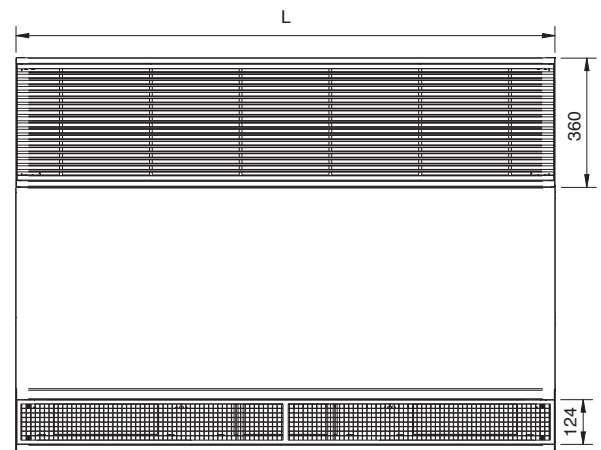
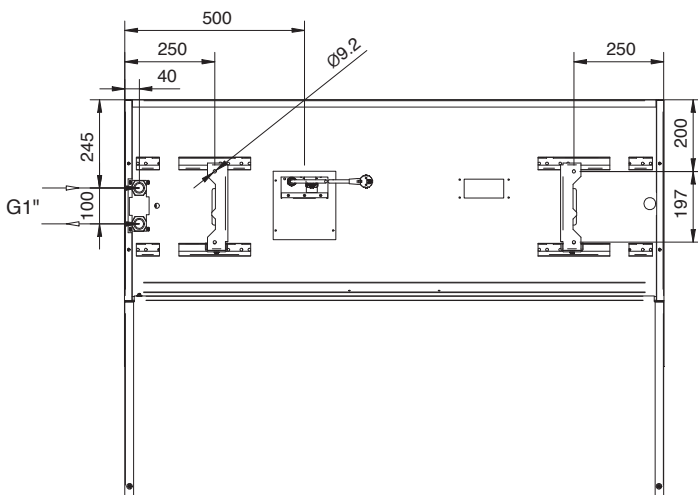
Cassette

Model	Max specific fan power kW/m ³ /s	Weight (kg)	Sound pressure level db(A) @3m				
			Fanspeed 1	Fanspeed 2	Fanspeed 3	Fanspeed 4	Fanspeed 5

Water 60/40°C

Vasatherm L-150-W-C	0,72	116	35,4	41,4	45,9	52,4	57,4
Vasatherm L-200-W-C	0,72	149	36,7	42,7	47,2	53,7	58,7

Type	L
Vasatherm L-150	1500
Vasatherm L-120	2000



Water flow rate and pressure drop calculations for different water temperatures

To calculate water flow rate and coil pressure drop, use our coil calculation programme. Then calculate the new water drop (valve) using the following formula:

$$\text{New Water Pressure Drop (valve)} = \text{60/40°C Water Pressure Drop (valve)} \times \left(\frac{\text{New Water Flow Rate}}{\text{60/40°C Water Flow Rate}} \right)^2$$

Example:

Vasatherm L-150-W-F at 60/40°C, EAT = 20°C
60/40°C Water flow rate = 11,2 l/min
(from water flow rate and pressure drop table below)

New water flow rate = 25 l/min
(from coil calculation programme)

New water pressure drop (coil) = 2,54 kPa
(from coil calculation programme)

Therefore:

New water pressure drop (valve) =

$$0,6 \times \left(\frac{25}{11,2} \right)^2 = 2,99 \text{ kPa}$$

Conversion factors:

1 kPa = 0,102m Water column
10 l per minute = 0,6 m³/h

Water flow rate and pressure drop

Model	2 row coil (based on 60/40°C)		
	Water flow rate (l/min)	Water pressure drop (coil) ΔP (kPa)	Water pressure drop (valve) ΔP (kPa)
Vasatherm L-100-W-F	6,2	0,17	0,18
Vasatherm L-150-W-F and C	11,2	0,63	0,6
Vasatherm L-200-W-F and C	16,4	1,49	1,29
Vasatherm L-250-W-F	21,5	2,84	2,25

Accessories

Description	Part number
Control panel	54090000
Door switch	54090010
Watersided control 2-way valve	54090101
Watersided control 3-way valve	54090103
Wall mounting brackets RAL 9016 100/150/200	54090301
Wall mounting brackets RAL 9016 250	54090303
Outside Temperature Sensor	54090015

Stravent is an expert in acoustics and climate separation projects, fire safety solutions and demanding indoor air projects. Stravent products are designed for the Nordic conditions, ensuring their optimum performance. The robust structure of the products and the high quality fans ensure long life and the best SFP-values. Stravent products are manufactured in accordance with the ISO 14001 environmental standard with a target of 99% recycling rate.